



Air-nipper mounting brackets



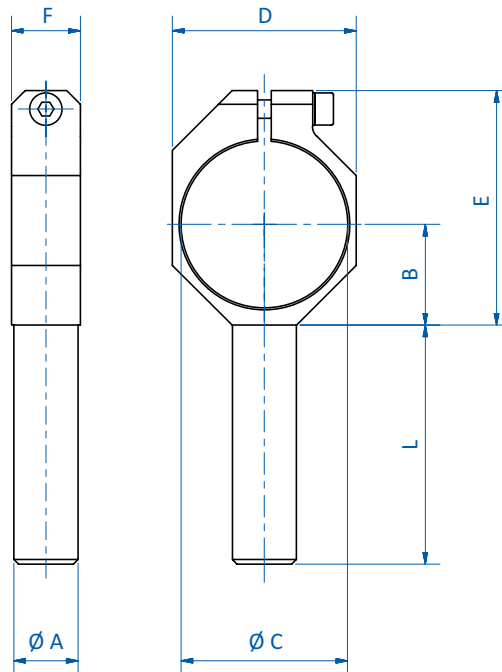
Product notes

- > Mounting brackets to fasten air nippers to angle clamps

Technical data

Item no.	Clamping- \varnothing [mm]	Weight [g]	Air nippers
GT-NR10H	14	38	GT-NR10L
GT-NR20H	20	71	GT-NR20
GT-NR30H	20	79	GT-NR30
GT-NR50H	20	149	GT-NR50

Dimensions



Item no.	$\varnothing A$ [mm]	B [mm]	$\varnothing C$ [mm]	D [mm]	E [mm]	F [mm]	L [mm]
GT-NR10H	14	22	36	40	51	15	52
GT-NR20H	20	30	45	50	65	20	52
GT-NR30H	20	35	56	60	75	20	52
GT-NR50H	20	45	75	85	95	20	52