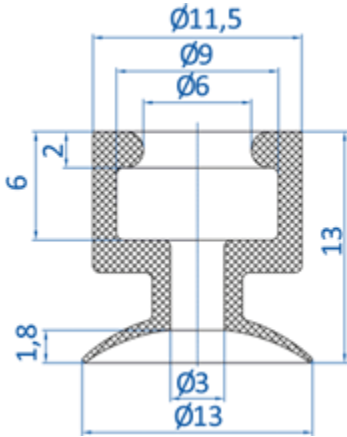



http://www.fipa.com/en_US/product/965109-Mueller-Martini

102.012.332._*



Suitable fittings	
Item no.	Connection
270.037	M5-male
270.373	M6-male
270.085	G1/8-male
270.086	G1/8-female

Technical data

Item no.	102.012.332.4
 [mm]	1.5
Material / Color	NR (or)

Overview of vacuum cup materials

Short designation	Material code	Hardness [Shore A ± 5°]	Commercial designation	Commercial name (example)	Short-term working temperature [°C]	Short-term working temperature [°F]	Abrasion resistance	Flexibility	Oil-resistance	Fuel resistance	Ozone and weathering resistance	Acid resistance	Leaching resistance
BR-AS	10-AS	60	Butadiene rubber, anti-static		-50 / +100	-58 / +212	++	+	o	o	o	+	++
CR	9	50 - 60	Chloroprene	Neoprene®	-40 / +110	-40 / +230	+	+	++	o	++	+	+
EPDM	15	50		Vistalon®	-40 / +130	-40 / +266	+	++	o	o	++++	+++	+++
FKM	7	65	Fluor rubber (FPM)	Viton®	-10 / +230	+14 / +446	o	o	++++	++++	++++	+++	+++
Foam rubber	12							++++					
HNBR	14	55	Hydrogenated acrylonitrile-butadiene rubber	Therban®	-30 / +160	-22 / +320	++	+	++++	++	+++	+	+
NBR	1	50 - 60	Nitrile rubber	Perbunan®	-30 / +90	-22 / +194	+	+	+++	+	o	o	o
NBR-AS	1-AS	50 - 70	Nitrile rubber, anti-static		-30 / +90	-22 / +194	+	+	+++	++	o	o	+
NR	4	35 - 45	Natural rubber	SMR	-40 / +80	-40 / +176	++	++++	o	o	o	+	++
NR	3	50 - 65	Natural rubber	SMR	-40 / +80	-40 / +176	++	+++	o	o	o	+	++
PU	5	50 - 65	Polyurethane (EU/AU)	Urepan®	-20 / +80	-4 / +176	++	+	+++	++	+	o	o
SBR	13	50 - 60	Styrene-butadiene-rubber (SBR)	Buna®	-30 / +80	-22 / +176	+++	++	o	o	+	+	+
SI	8	35 - 45	Silicone rubber	Elastosil®	-40 / +200	-40 / +392	o	++++	o	o	+++	o	o
SI	2	50 - 65	Silicone rubber	Elastosil®	-40 / +200	-40 / +392	o	+++	o	o	+++	o	o
SI-LE	8-LE	35 - 45	Silicone rubber	Elastosil®	-40 / +200	-40 / +392	o	++++	o	o	+++	o	o
SI-LE	2-LE	50 - 65	Silicone rubber	Elastosil®	-40 / +200	-40 / +392	o	+++	o	o	+++	o	o
Tepuflex®	17	50	Thermoplastic elastomer		0 / +60	+32 / +140	+++	++	o	o	+++	o	o
Thermalon®	19	60			0 / +160	+32 / +320	++	+	+++	++	o	+	+
TPU	18	60	Thermoplastic elastomer	Elastollan®	0 / +65	+32 / +149	+++	o	+++	++	+++	o	+
Varioflex®	16	30/60	Polyurethane (2 Shore Hardnesses)		10 / +50	+50 / +122	+++	++++	+++	+++	++	o	+++
Vinyl	V	50 - 55	PVC (soft)		0 / +60	+32 / +140	+++	++	+	+	++	++	++
Vulkollan®	11	75		Vulkollan®	-40 / +80	-40 / +176	++++	+	+++	++	+++	+	+

++++ = Excellent +++ = Very good ++ = Good + = Fair 0 = Low to satisfactory

Ordering example: Flat vacuum cup made of silicone 50° Shore A

Item No.

102.030.222._* > Add material code > 102.030.222.2

Note!

- > Depending on the application, vacuum cups are subject to mechanical and chemical stresses. The data serve therefore only as guidelines.
- > Special vacuum cups fitted with felt linings are extremely low-marking and can be deployed at temperatures up to a max. of 500 °C (932 °F)
- > Material colors may change, but the quality remains unaffected.
- > Material colors: bg = beige, bl = blue, br = brown, g = green, ge = yellow, gr = gray, or = orange, r = red, sw = black, tr = transparent, w = white